

LFP12-150P

12.8V 150Ah

Prismatic Cell LifePO4 Battery

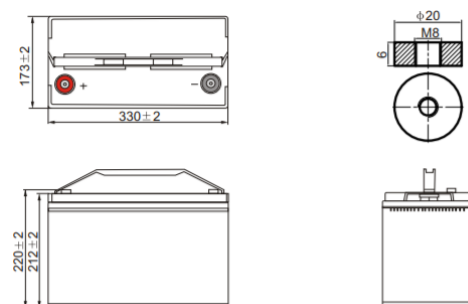
BVBA
BRAVA BATTERY

Specifications

Rated Voltage		12.8V
Nominal Capacity	150Ah	1920Wh@C5
Dimension	Length	335 ± 2mm (13.19 inches)
	Width	172 ± 2mm (6.77 inches)
	Container Height	212 ± 2mm (8.35 inches)
	Total Height	214 ± 2mm (8.43 inches)
Weight		Approx. 14.2 Kg(31.3 lbs)
Terminal		M8
Container Material		A.B.S. UL94-HB, UL94-V0 Optional
Cycle Life	>2000 cycles @ 1C 100% DOD	
Efficiency of Charge	100% @0.5C	
Efficiency of Discharge	96 ~99% @1C	
Internal Resistance(25°C)		Approx. 18mΩ
Operating Temp. Range	Discharge	-20 ~60°C (-4~ 140°F) @60±25% Relative Humidity
	Charge	0~55°C (32~ 131°F) @60±25% Relative Humidity
	Storage	-20~45°C (-4~ 113°F) @60±25% Relative Humidity
Nominal Operating Temp.Range		25 ± 5°C (77 ± 5°F)
Charge Voltage	14.6±0.2V	14.6±0.2V (Cut-off Voltage)
Charge Current	50A	100A(Max.)
Charge Mode	0.2C to 14.6V, then 14.6V,charge current to 0.02C (CC/CV)	
Rated Discharge Current	50A (100A Max.)	200A(<3s) and Discharge Cut-off@ 10v
Months Self Discharge	<3% per month at 25°C	



Layout



Applications

- Back-up power for small UPS
- Solar & Wind energy system
- Golf carts , trolleys & buggies
- Electric vehicle,E-bike,E-rickshaw e.g.
- Lighting
- Wheel chairs and scooters
- Tools

General Features

- **Longer Cycle Life:** Offers up to 20 times longer cycle life and five times longer float/calendar life than lead acid battery
- **Lighter Weight:** About 40% of the weight of a comparable lead acid battery.
- **Higher Power:** Delivers twice power of lead acid battery
- **Wider Temperature Range:** -20 °C ~60 °C
- **Superior Safety:** Lithium Iron Phosphate chemistry eliminates the risk of explosion or combustion due to high impact,overcharging or short circuit situation.
- **Maintenance free**
- **Internal cell balancing**
- **Built-in BMS protection** for over-charge, over discharge, over current and over temperature

Standards

- Compliance with IEC 60896 standards, EU Battery Directive
- UL, CE Certified
- Manufactured in ISO45001,ISO 9001 and ISO 14001 certified production facilities

⚠ NOTE : The battery should be charged within 12 months of storage, Otherwise, permanent loss of capacity might occur as a result of sulfation

